

AfSol

A-Grade Solar Modules by EnergyAlt

0/+5 Wp POSITIVE TOLERANCE

ROOFTOP AND OFF-GRID DESIGN

HIGH QUALITY

10 YEAR PRODUCT WARRANTY

25 YEAR LINEAR PERFORMANCE WARRANTY

AfSol 255W

AfSol High Quality A-Grade Solar Modules Built for :

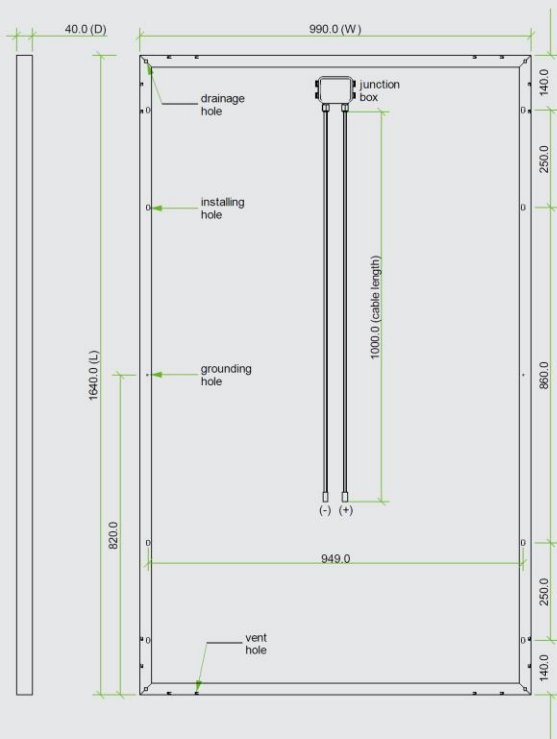
Rooftop



Off-Grid

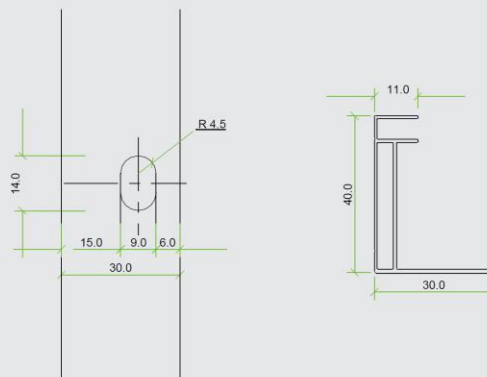


Er AfSol 255W



General characteristics

Cell	polycrystalline solar cell 156 x 156 mm
No. of Cells (Connections)	60 (6x10)
Panel Dimensions	1640 x 990 x 40 mm
Weight	19.0 kg
Connectors and Cables	Connectors and 1m cables



Thermal conditions

Normal Operating Cell Temperature 1000W/m ² Irradiance, 20°C, AM = 1.5	48°C ± 2°C
Temperature Coefficient	- 0.5%/K
Temperature Coefficient	0.035%/K
Temperature Coefficient	- 0.37 MV/K

Limits

Operating Temperature	- 40°C to 85°C
Maximum System Voltage	1000V DC

Electric performance at STC *

Maximum Power	255 Wp
Power Tolerance	0/+5 Wp
Module efficiency	15.7%
Maximum Power Voltage	30.4V
Maximum Power Current	8.39A
Open Circuit Voltage	37.5V
Short Circuit Current	8.86A

*Standard Test Conditions : 1000W/m² irradiance, 25°C and AM = 1.5

High performance

25 Years linear performance

10 Years product warranty

